

Maxibit Zap, Roll-up Displays



Maxibit Zap 1

Zap 1 is the most compact of our displays. Sporting a new modern look, Zap 1 is ultra rigid in design and boasts a range of technical features that include magnetic ends and exchangeable graphics. Zap 1 is 88 cm wide and can be adjusted from a base of 88 cm to a massive 225 cm. Like all Zap products, each unit comes with its own nylon carry bag for added portability.



Maxibit Zap 2

Modern in design, Zap 2 has an elliptical cassette with more aesthetic metallic ends. Its new foot design means a more rigid construction and an increased inner volume of over 30 percent. Zap 2's technical features include adjustable feet, magnetic ends and exchangeable graphics. Whilst allowing the user to choose between an 88 cm cassette or the more dynamic 118 cm Eurosize width, each Zap 2 is adjustable between 88 cm and 225 cm.



Maxibit Zap 3

Zap 3's sophisticated design allows each unit to carry its telescopic pole inside the cassette. New features include a more rigid design, adjustable feet, magnetic ends, exchangeable graphics, and an increased inner volume of over 30 percent. Its boomerang foot allows each unit to be extended between 88 cm and 225 cm without compromising stability. Zap 3 comes in two widths—88 cm and 118 cm Eurosize.



Maxibit Zap 4

Offering optimal exposure, Zap 4 allows the user the added luxury of essentially using two Zap 2 back-to-back. While graphics extend to perfect alignment around a central pole, each unit comes equipped with magnetic ends and exchangeable graphics. All Zap 4 are adjustable between 88 cm and 225 cm, and have a width of 88 cm. A nylon carry bag allows for maximum portability.

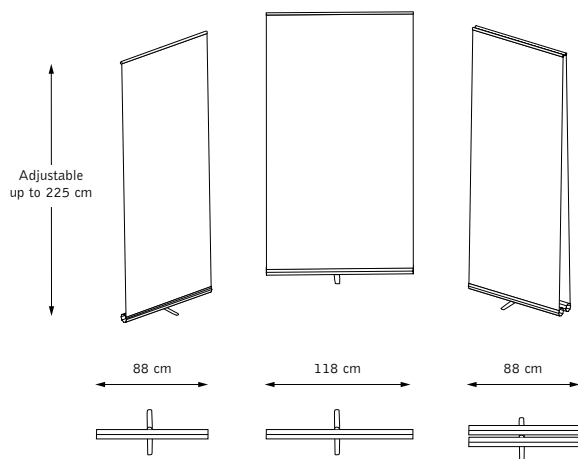


Buyer's Guide	Zap 1	Zap 2	Zap 3	Zap 4
88 cm width	•	•	•	•
Eurosize 118 cm width		•	•	
Slide-in-graphics	•	•	•	•
Double sided				•
Adjustable graphic height	•	•	•	•
Nylon carrying bag	•	•	•	•
Adjustable feet		•	•	
Lock secured pole		•	•	
Panel capacity (interior diameter)	56 mm	71 mm	71 mm	71 mm
Cassette measurement (WxH)	67x85 mm	75x75 mm	146x75 mm	178x75 mm
Foot invisible from front			•	•
Pole travels inside cassette			•	
Magnetic ends	•	•	•	•
Tools for graphic exchange	Allen key	Allen key	Allen key	Allen key
Weight 88 cm*	3.9 kg	3.8 kg	4.2 kg	6.3 kg
Weight 118 cm eurosize*		4.8 kg	5.6 kg	

*complete system with bag

Why choose a roll-up display

- Can be used anywhere, in any situation
- Scandinavian design
- Easy to carry and quick to set up
- Cost-effective
- Quick graphic exchange
- Adjustable height, 88–225 cm
- Double sided
- Two widths, 88 cm and 118 cm
- Attachments: brochure holders, lights



Specification: Maxibit Zap

Versions: Zap 1, Zap 2, Zap 3, Zap 4 Double

Construction: Roll-up aluminum alloy cassette with a built-in foot. Bag included.

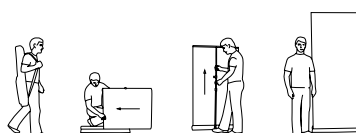
Graphic material: Fabrics or laminated paper, matte or glossy.

Width: 88 or 118.5 cm.

Height: Adjustable up to 225 cm.

Weight: From 4.3 kg incl. graphics and bag.

Compact Displays (UK) Ltd.



The Original Since 1978

Tel: +44 (0)20 8544 0707, e-mail: info@compactdisplays.co.uk